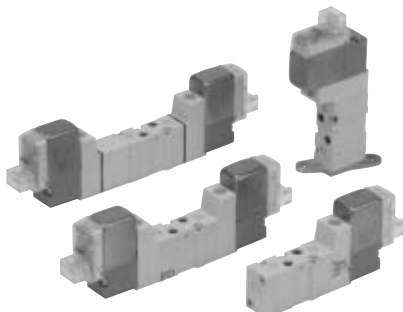


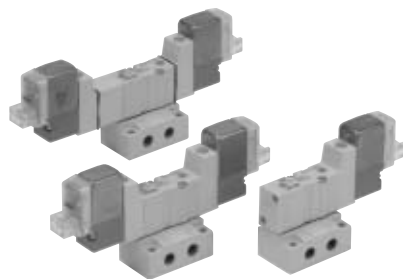


# 4/5 Port Solenoid Valve Rubber Seal

# Series SYJ3000



Body ported



Base mounted

## Specifications

Fluid	Air	
Operating pressure range MPa	2 position single	0.15 to 0.7
	2 position double	0.1 to 0.7
	3 position	0.2 to 0.7
Ambient and fluid temperature (°C)	-10 to 50 (No freezing. Refer to page 1-7-4.)	
Response time (ms) (at 0.5 MPa) <sup>Note 1)</sup>	2 position single, double	15 or less
	3 position	30 or less
Max. operating frequency (Hz)	2 position single, double	10
	3 position	3
Manual override (Manual operation)	Non-locking push type, push-turn locking slotted type, push-turn locking lever type	
Pilot exhaust method	Individual exhaust for the pilot valve, common exhaust for the pilot and main valve	
Lubrication	Not required	
Mounting orientation	Unrestricted	
Shock/Vibration resistance (m/s <sup>2</sup> ) <sup>Note 2)</sup>	150/30	
Enclosure	Dustproof (* M8 connector conforms to IP65.)	



\* Based on IEC529

Note 1) Based on dynamic performance test, JIS B 8375-1981. (Coil temperature: 20°C, at rated voltage)

Note 2) Impact resistance: No malfunction occurred when it is tested with a drop tester in the axial direction and at the right angles to the main valve and armature in both energized and de-energized states every once for each condition. (Value in the initial state)

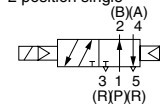
Vibration resistance: No malfunction occurred in one sweep test between 45 and 2000 Hz. Test was performed to axis and right angle directions of the main valve when pilot signal is ON and OFF. (Value in the initial state)

## JIS Symbol

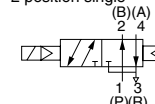
5 port

4 port (manifold)

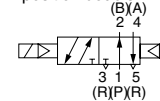
2 position single



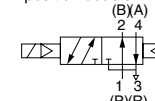
2 position single



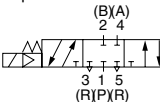
2 position double



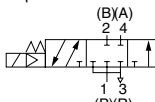
2 position double



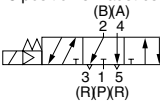
3 position closed center



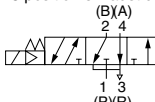
3 position closed center



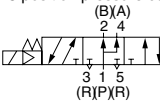
3 position exhaust center



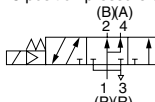
3 position exhaust center



3 position pressure center



3 position pressure center



## Solenoid Specifications

Electrical entry	Grommet (G), (H), L plug connector (L), M plug connector (M), M8 connector (W)	
Coil rated voltage (V)	DC	24, 12, 6, 5, 3
	AC 50/60 Hz	100, 110, 200, 220
Allowable voltage fluctuation	±10% of rated voltage	
Power consumption (W)	DC	Standard: 0.35 (With indicator light: 0.4) With power saving circuit: 0.1 (With indicator light only)
	AC	100 V
110 V [115 V]		1.6 (With indicator light: 1.7) [1.7 (With indicator light: 1.8)]
200 V		2.3 (With indicator light: 2.4)
220 V [230 V]		2.5 (With indicator light: 2.6) [2.7 (With indicator light: 2.8)]
Surge voltage suppressor	Diode (Non-polarity type: valistor)	
Indicator light	LED	

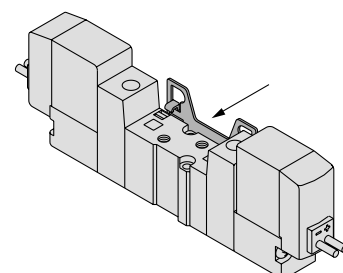
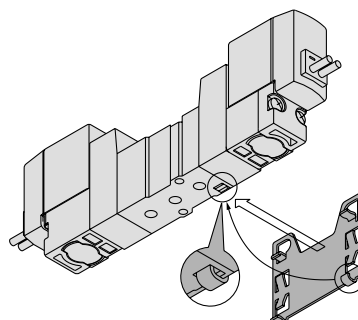


\* In common between 110 VAC and 115 VAC, and between 220 VAC and 230 VAC.

\* For 115 VDC and 230 VDC, the allowable voltage is -15% to +5% of rated voltage.

## Bracket Mounting

- ① Insert the lower hook of the mounting bracket into the groove on the bottom of the valve as shown.
- ② Press the valve and mounting bracket together until the upper hook of the bracket snaps into place in the groove on top of the valve.



**Made to Order Specifications**  
(For details, refer to page 1-5-72.)

## Flow Characteristics/Weight

Valve model		Type of actuation	Port size		Weight (g) <sup>Note 3, 4)</sup>			Effective area (mm <sup>2</sup> )	Flow characteristics <sup>Note 2)</sup>							
			1, 5, 3 (P, EA, EB)	4, 2 (A, B)	Grommet	L/M plug conector	M8 connector		1→4/2 (P→A/B)			4/2→5/3 (A/B→EA/EB)				
									C [dm <sup>3</sup> /(s·bar)]	b	Cv	C [dm <sup>3</sup> /(s·bar)]	b	Cv		
5 port Base mounted (with sub-plate)	SYJ314□	2 position	M5 x 0.8	M5 x 0.8	62 (36)	63 (37)	67 (41)	—	0.46	0.36	0.12	0.46	0.35	0.12		
	SYJ324□														Double	79 (53)
	SYJ334□	3 position			Closed center	82 (56)	84 (58)		92 (66)	—	0.47	0.33	0.12	0.47	0.31	0.12
	SYJ354□				Exhaust center					—	0.36	0.39	0.10	0.59 [0.40]	0.43 [0.33]	0.16 [0.11]
	Pressure center	—	0.58 [0.32]	0.42 [0.33]	0.16 [0.080]			0.46		0.32	0.11					
5 port Body ported	SYJ312□	2 position	M3 x 0.5	M3 x 0.5	36	37	41	0.9	—	—	—	—	—	—		
	SYJ322□														Double	53
	SYJ332□	3 position			Closed center	56	58		66	—	—	—	—	—	—	
	SYJ342□				Exhaust center					—	—	—	—	—	—	
	SYJ352□				Pressure center					—	—	—	—	—	—	
<sup>Note 1)</sup> 4 Port Base Mounted (For manifold base only)	SYJ313□	2 position	1/8	M5 x 0.8	36	37	41	—	—	—	—	—	—	—		
	SYJ323□														Double	53
	SYJ333□	3 position			Closed center	56	58		66	—	—	—	—	—	—	
	SYJ343□				Exhaust center					—	—	—	—	—		
	SYJ353□				Pressure center					—	—	—	—	—		

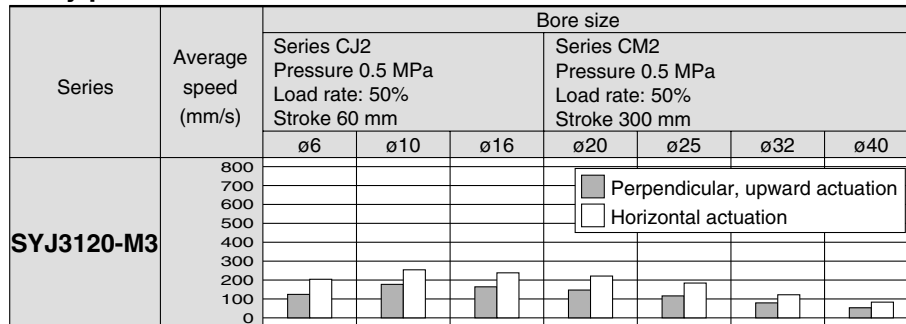
SV  
SZ  
SY  
SYJ  
SX

- Note 1) Dedicated for manifold base. For details, refer to page 1-5-14.
- Note 2) [ ] denotes normal position. Exhaust center: 4/2 → 5/3, Pressure center: 1 → 4/2
- Note 3) ( ): Without sub-plate.
- Note 4) For DC voltages. For AC voltages add 3 g to the weight of the single solenoid and 6 g to the weight of the double solenoid and 3 position types.

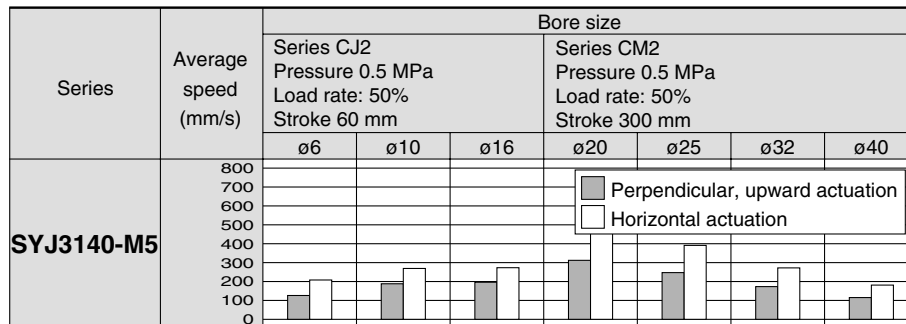
## Cylinder Speed Chart

Use as a guide for selection.  
Please confirm the actual conditions with SMC Sizing Program.

### Body ported



### Base mounted



- \* Cylinder is in extending. Speed controller is meter-out, which is directly connected with cylinder and its needle is fully opened.
- \* Average speed of cylinder is obtained by dividing the full stroke time by the stroke.
- \* Load factor: ((Load weight x 9.8)/Theoretical force) x 100%

## Conditions

Body ported		Series CJ2	Series CM2
SYJ3120-M3	Tubing bore x Length	ø4 x 1 m	
	Speed controller	AS1301F-04	
	Silencer	AN120-M5	

Base mounted		Series CJ2	Series CM2
SYJ3140-M5	Tubing bore x Length	ø6 x 1 m	
	Speed controller	AS2001F-06	AS2301F-06
	Silencer	AN120-M5	

## How to Order

### Type of actuation

1	2 position single solenoid
2	2 position double solenoid
3	3 position closed center
4	3 position exhaust center
5	3 position pressure center

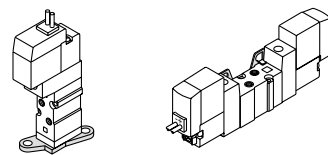
### Light/Surge voltage suppressor

Nil	Without light/surge voltage suppressor
S	With surge voltage suppressor
Z	With light/surge voltage suppressor
R	With surge voltage suppressor (Non-polar type)
U	With light/surge voltage suppressor (Non-polar type)

\* For AC voltage valves there is no "S" option. It is already built-in to the rectifier circuit.  
 \* For type "R" and "U", DC voltage is only available.  
 \* Power saving circuit is only available in the "Z" type.

### Bracket

Nil: Without bracket  
 F: With bracket



Single

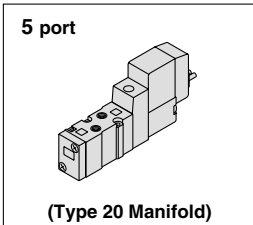
Double

Note • The double solenoid mounting bracket is supplied unattached.  
 • To order the double solenoid bracket for use with a single solenoid valve, order the single solenoid valve without a bracket and order the bracket (VJ3000-13-1) separately.  
 (Example) SYJ3120-5M-M3 VJ3000-13-1

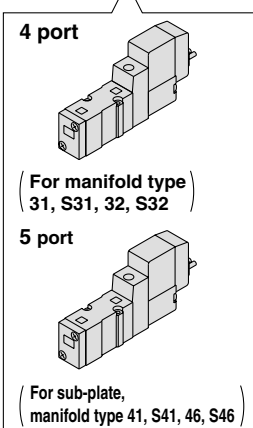
### Rated voltage

DC		AC (50/60 Hz)	
5	24 VDC	1	100 VAC
6	12 VDC	2	200 VAC
V	6 VDC	3	110 VAC [115 VAC]
S	5 VDC	4	220 VAC [230 VAC]
R	3 VDC		

\* For type "W□", DC voltage is only available.



<b>Body ported</b>	SYJ3	1	2	0		5	M			M3	
<b>Base mounted (4 port)</b>	SYJ3	2	3	0		5	M				(Manifold use only)
<b>Base mounted (5 port)</b>	SYJ3	2	4	0		5	M				



### Coil specifications

Nil	Standard
T	With power saving circuit (24, 12 VDC only)

\* Power saving circuit is not available in the case of "W□" type.

### Body option

**0:** Pilot valve individual exhaust for the pilot valve

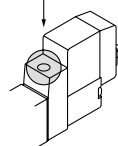
R port P, E port

**3:** Common exhaust type for main and pilot valve

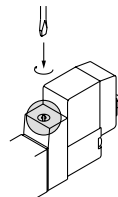
R port P, E port

### Manual override

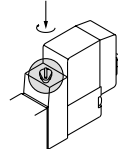
Nil: Non-locking push type



D: Push-turn locking slotted type

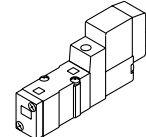


E: Push-turn locking lever type



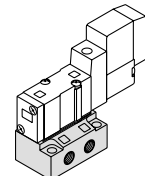
### Port size

Nil: Without sub-plate



(With gasket and screws)

M5: With M5 port sub-plate



### Electrical entry

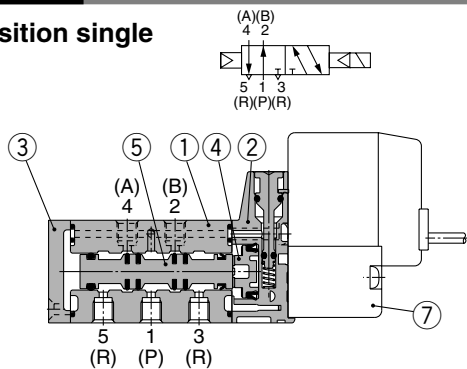
24, 12, 6, 5, 3 VDC 100, 110, 200, 220 VAC				24, 12, 6, 5, 3 VDC	
Grommet	L plug connector	M plug connector		M8 connector	
<b>G:</b> Lead wire length 300 mm	<b>L:</b> With lead wire (Length 300 mm)	<b>M:</b> With lead wire (Length 300 mm)	<b>MN:</b> Without lead wire	<b>WO:</b> Without connector cable	
<b>H:</b> Lead wire length 600 mm	<b>LN:</b> Without lead wire	<b>LO:</b> Without connector	<b>MO:</b> Without connector		

\* "LN", "MN" type: with 2 sockets.  
 \* For connector cable of M8 connector, refer to page 1-5-78.

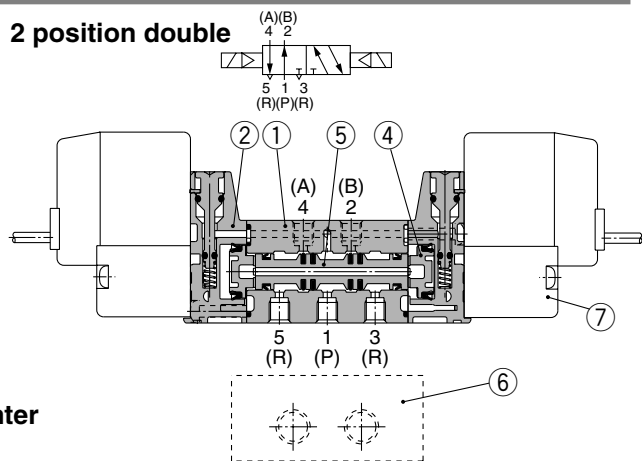
Note) When placing an order for body ported solenoid valve as a single unit, mounting bolt for manifold and gasket are not attached. Order them separately, if necessary. (For details, refer to page 1-5-18 on catalog.)

## Construction

### 2 position single

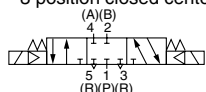


### 2 position double

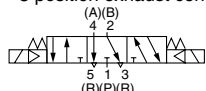


### 3 position closed center/exhaust center/pressure center

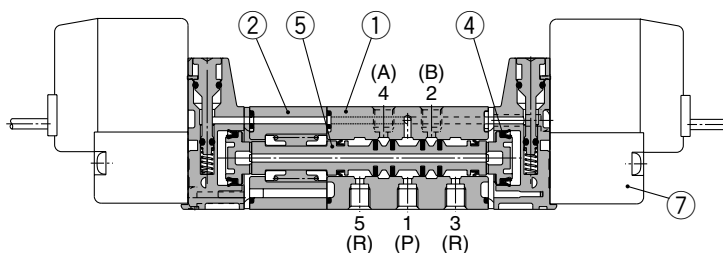
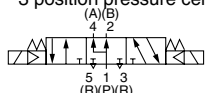
#### 3 position closed center



#### 3 position exhaust center



#### 3 position pressure center



(This figure shows a closed center type.)

## Component Parts

No.	Description	Material	Note
①	Body	Zinc die-casted	White
②	Piston plate	Resin	White
③	End cover	Resin	White
④	Piston	Resin	
⑤	Spool valve assembly	Aluminum, HNBR	

## Replacement Parts

No.	Description	Part no.	Note
⑥	Sub-plate	SYJ3000-22-1	Zinc die-casted
⑦	Pilot valve	V111 (T) - □□□	

## How to Order Pilot Valve Assembly

V111 □ — 5 G □

### Coil specifications

Nil	Standard: DC specifications
A	Standard: AC specifications
T	With power saving circuit (24, 12 VDC only)

\* Power saving circuit is not available in the case of "W□" type.

### Rated voltage

5	24 VDC
6	12 VDC
V	6 VDC
S	5 VDC
R	3 VDC
1	100 VAC 50/60 Hz
2	200 VAC 50/60 Hz
3	110 VAC 50/60 Hz [115 VAC 50/60 Hz]
4	220 VAC 50/60 Hz [230 VAC 50/60 Hz]

\* For type "W□", DC voltage is only available.

### Light/Surge voltage suppressor

Nil	Without light/surge voltage suppressor
S	With surge voltage suppressor
Z	With light/surge voltage suppressor
R	With surge voltage suppressor (Non-polar type)
U	With light/surge voltage suppressor (Non-polar type)

\* For AC voltage valves there is no "S" option. It is already built-in to the rectifier circuit.  
\* For type "R" and "U", DC voltage is only available.  
\* Power saving circuit is only available in the "Z" type.

### Electrical entry

G	Grommet, 300 mm lead wire
H	Grommet, 600 mm lead wire
L	L plug connector
LN	With lead wire
LO	Without lead wire
M	M plug connector
MN	With lead wire
MO	Without lead wire
WO	Without connector
W0	M8 connector
	Without connector cable

\* For connector cable of M8 connector, refer to page 1-5-78.

## How to Order Connector Assembly for L/M Plug Connector

For DC : SY100-30-4A-□  
For 100 VAC : SY100-30-1A-□  
For 200 VAC : SY100-30-2A-□  
For other voltages of AC : SY100-30-3A-□  
Without lead wire : SY100-30-A  
(with connector and 2 of sockets only)

### Lead wire length

Nil	300 mm
6	600 mm
10	1000 mm
15	1500 mm
20	2000 mm
25	2500 mm
30	3000 mm
50	5000 mm

## How to Order M8 Connector Cable

V100-49-1-□

### Cable length

1	300 mm
2	500 mm
3	1000 mm
4	2000 mm
7	5000 mm

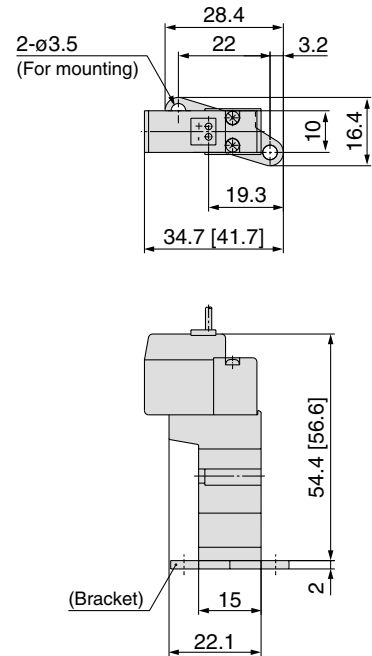
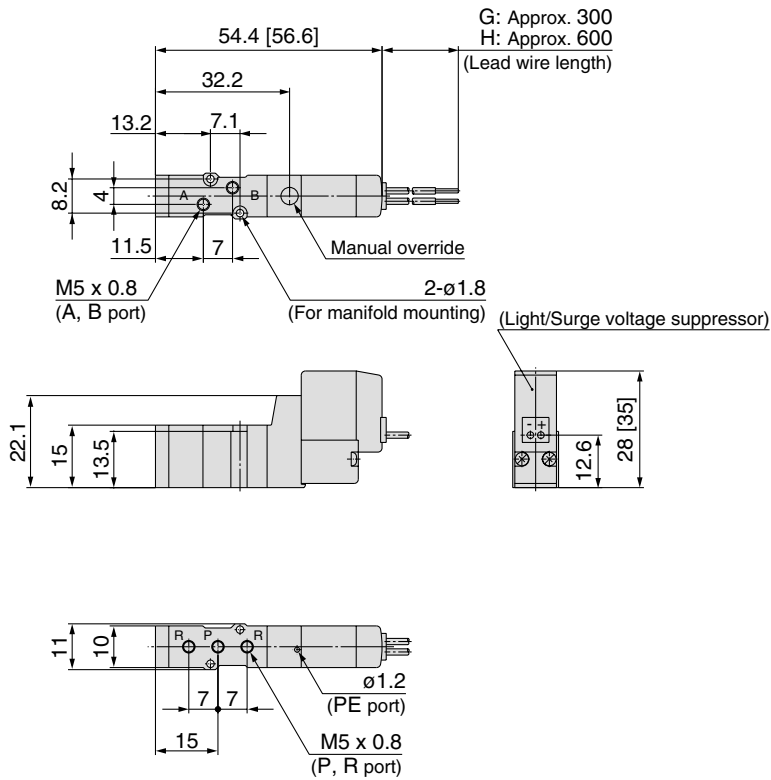
# Series SYJ3000

## 2 Position Single



Grommet (G), (H): SYJ3120-□<sup>G</sup>□□-M3

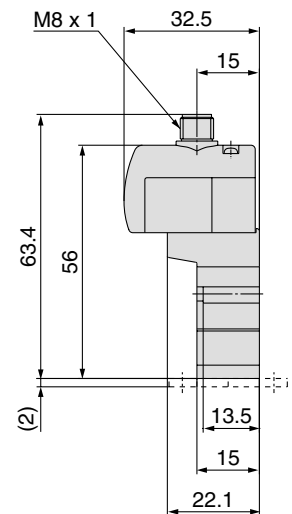
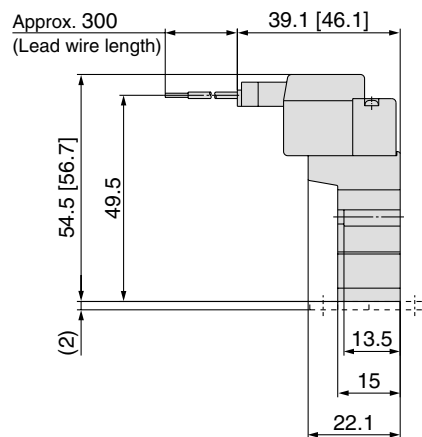
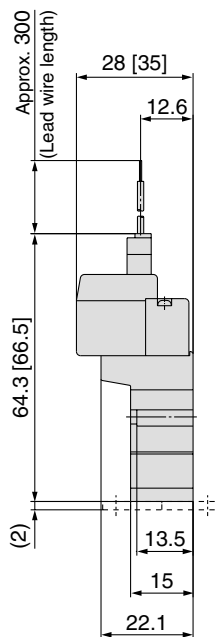
With bracket:  
SYJ3120-□<sup>G</sup>□□-M3-F



L plug connector (L):  
SYJ3120-□L□□-M3 (-F)

M plug connector (M):  
SYJ3120-□M□□-M3 (-F)

M8 connector (WO):  
SYJ3120-□WO□□-M3 (-F)



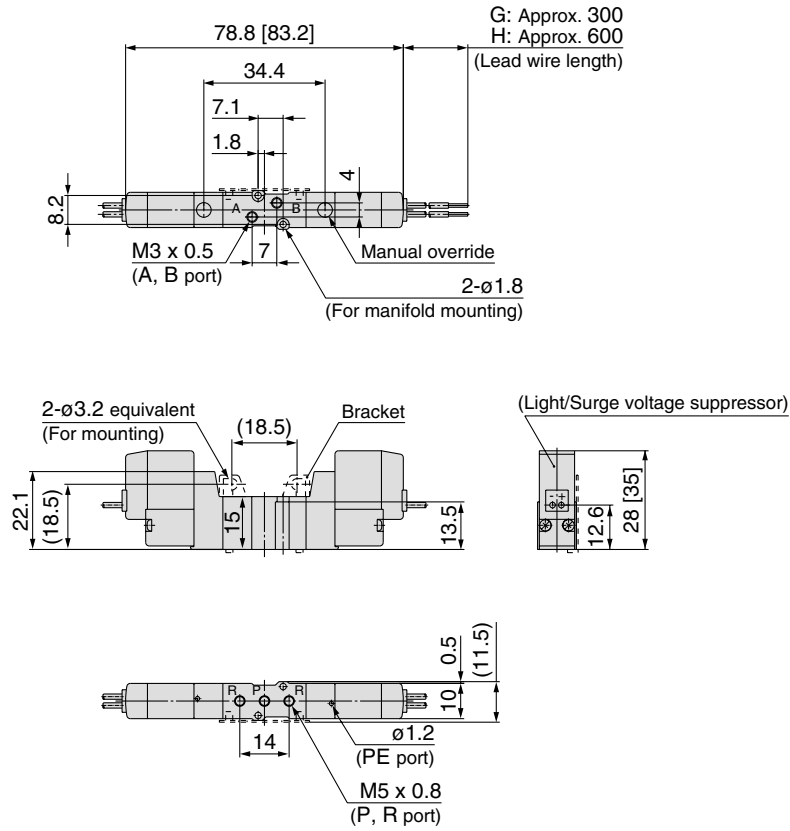
Refer to page 1-5-79 for dimensions with connector cable.

# 4/5 Port Solenoid Valve Rubber Seal Series SYJ3000

## 2 Position Double



Grommet (G), (H): SYJ3220-□<sup>G</sup>□□-M3 (-F)



SV

SZ

SY

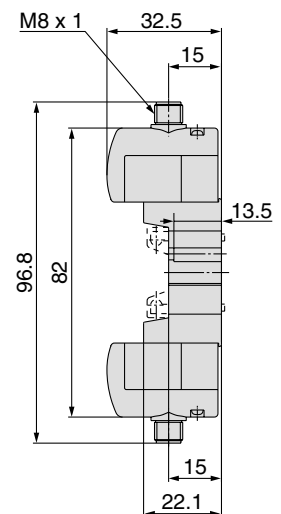
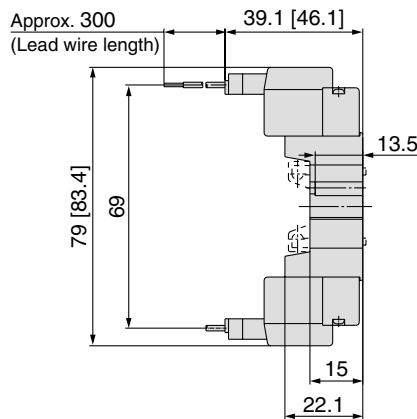
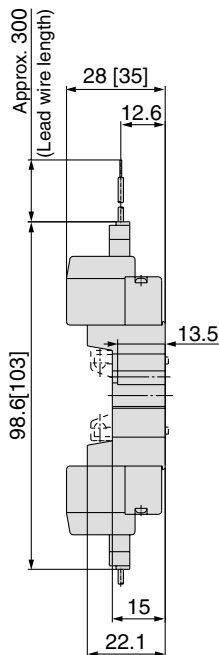
SYJ

SX

**L plug connector (L):**  
SYJ3220-□L□□-M3 (-F)

**M plug connector (M):**  
SYJ3220-□M□□-M3 (-F)

**M8 connector (WO):**  
SYJ3220-□WO□□-M3 (-F)



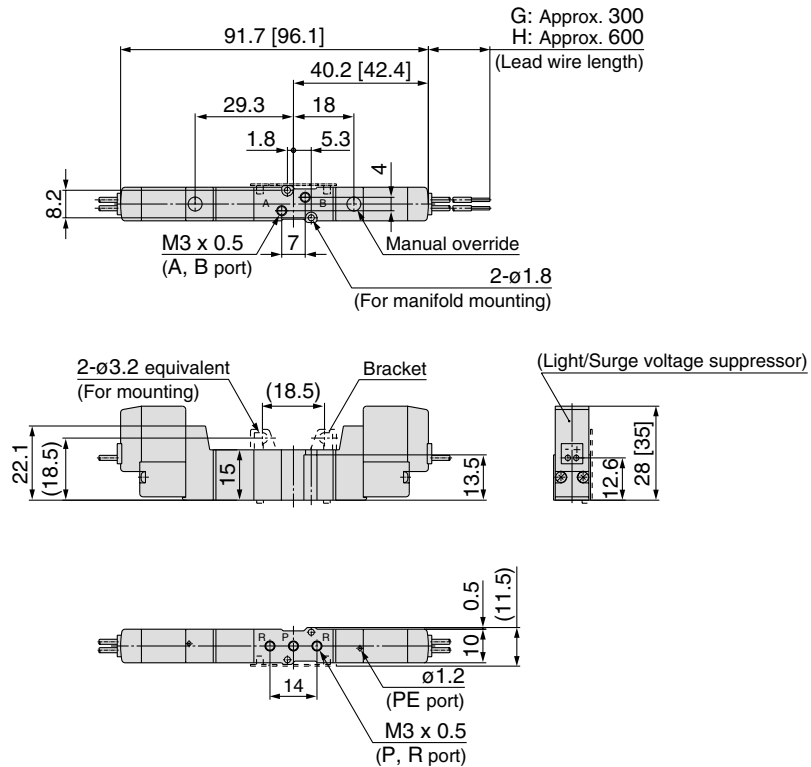
Refer to page 1-5-79 for dimensions with connector cable.

# Series SYJ3000

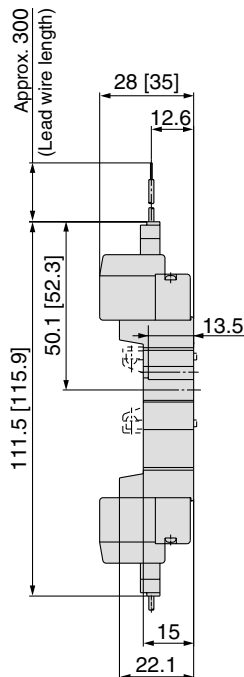
## 3 Position Closed Center/Exhaust Center/Pressure Center



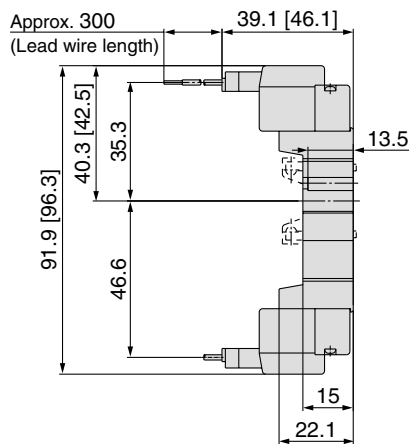
Grommet (G), (H): SYJ3<sub>5</sub><sup>3</sup>20-□<sup>G</sup>□□□-M3 (-F)



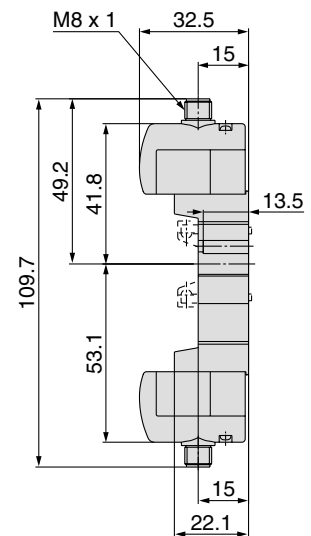
**L plug connector (L):**  
SYJ3<sub>5</sub><sup>3</sup>20-□L□□-M3 (-F)



**M plug connector (M):**  
SYJ3<sub>5</sub><sup>3</sup>20-□M□□-M3 (-F)



**M8 connector (WO):**  
SYJ3<sub>5</sub><sup>3</sup>20-□WO□□-M3 (-F)



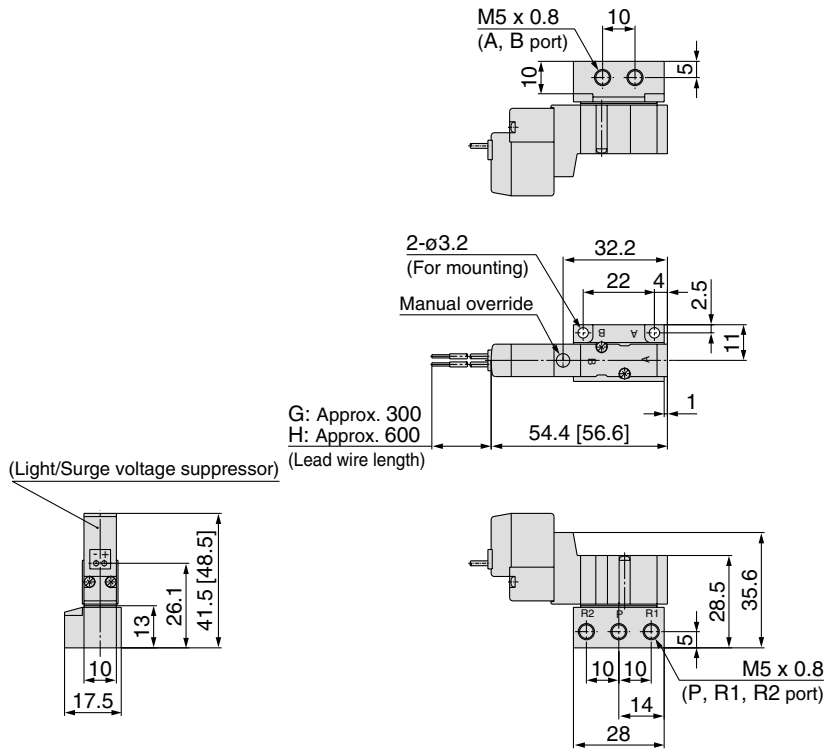
Refer to page 1-5-79 for dimensions with connector cable.

# 4/5 Port Solenoid Valve Rubber Seal Series SYJ3000



## 2 Position Single

Grommet (G), (H): SYJ3140-□<sup>G</sup><sub>H</sub>□□-M5



SV

SZ

SY

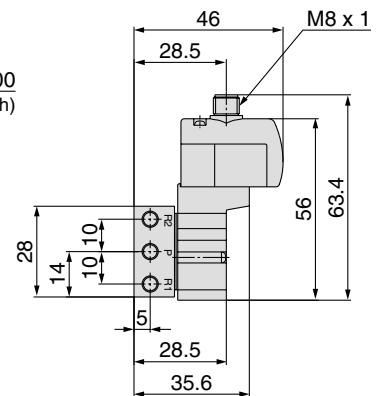
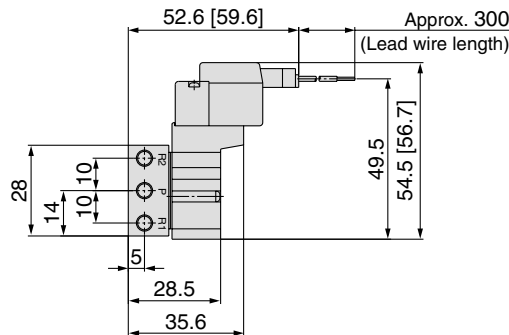
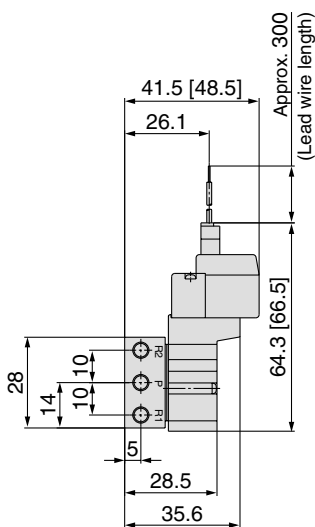
**SYJ**

SX

**L plug connector (L):**  
SYJ3140-□L□□-M5

**M plug connector (M):**  
SYJ3140-□M□□-M5

**M8 connector (WO):**  
SYJ3140-□WO□□-M5



Refer to page 1-5-79 for dimensions with connector cable.

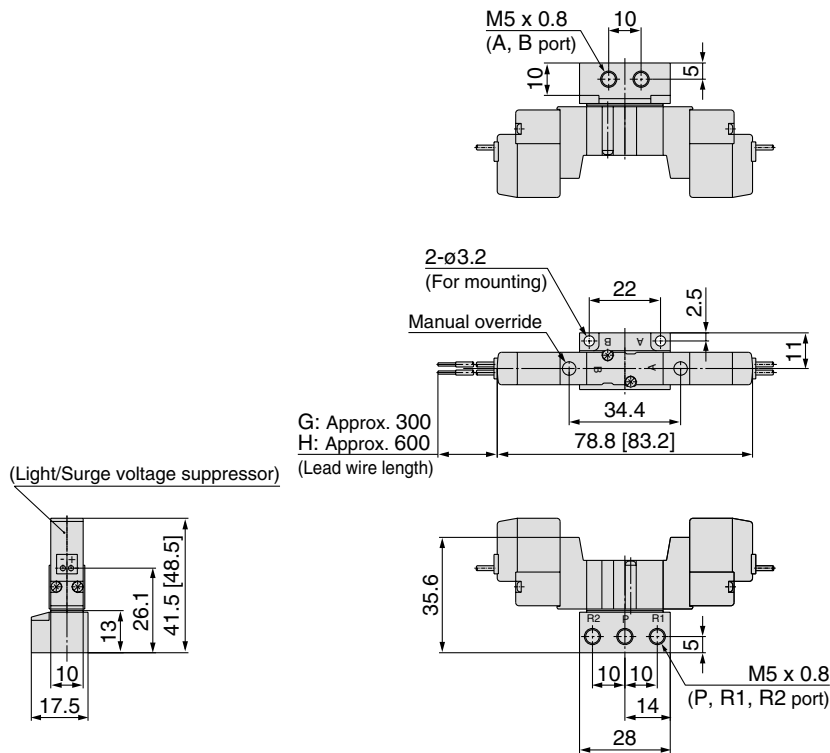


# Series SYJ3000

## 2 Position Double



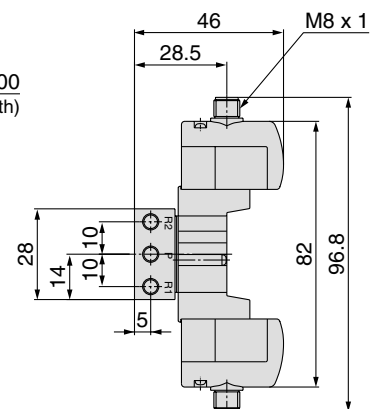
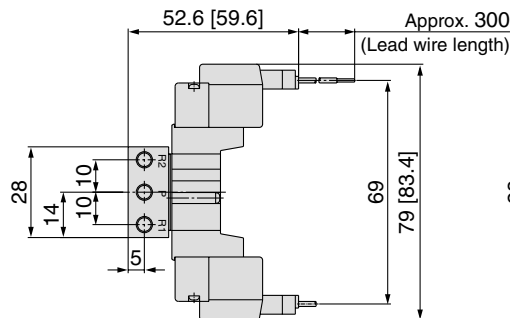
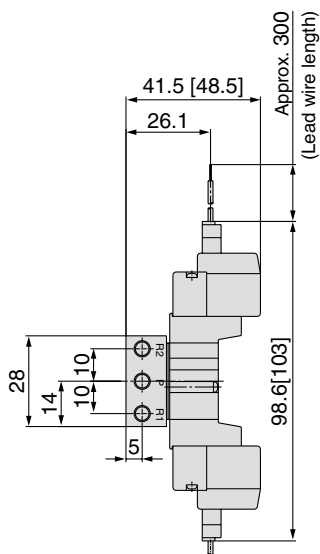
Grommet (G), (H): SYJ3240-□<sup>G</sup>□□-M5



**L plug connector (L):**  
SYJ3240-□L□□-M5

**M plug connector (M):**  
SYJ3240-□M□□-M5

**M8 connector (WO):**  
SYJ3240-□WO□□-M5



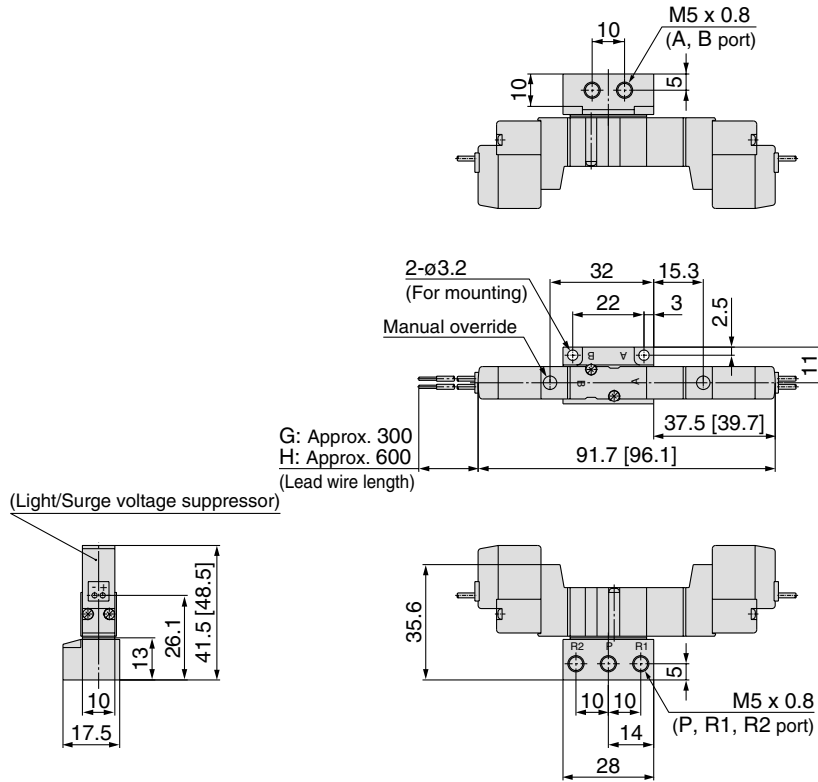
Refer to page 1-5-79 for dimensions with connector cable.

# 4/5 Port Solenoid Valve Rubber Seal Series SYJ3000

## 3 Position Closed Center/Exhaust Center/Pressure Center



Grommet (G), (H): SYJ3<sup>3</sup>/<sub>5</sub>40-□<sup>G</sup>□□-M5



SV

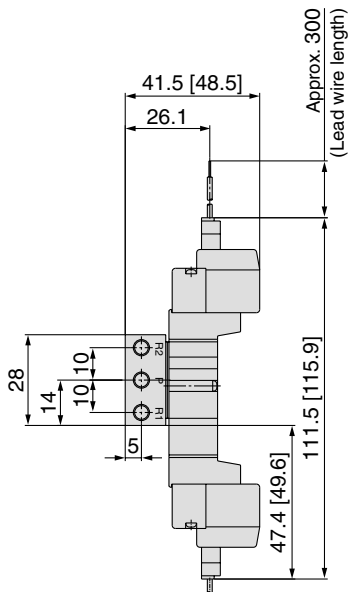
SZ

SY

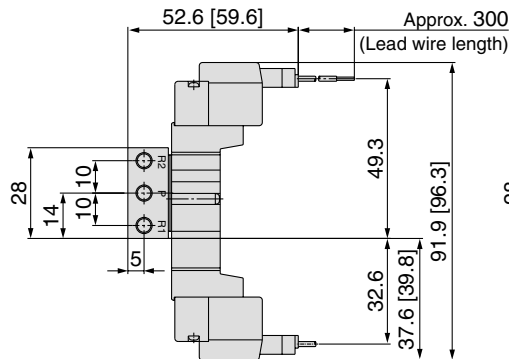
SYJ

SX

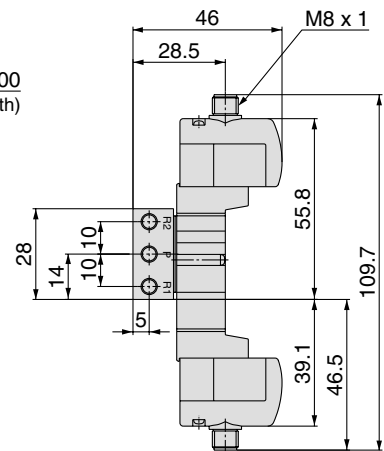
L plug connector (L):  
SYJ3<sup>3</sup>/<sub>5</sub>40-□L□□-M5



M plug connector (M):  
SYJ3<sup>3</sup>/<sub>5</sub>40-□M□□-M5



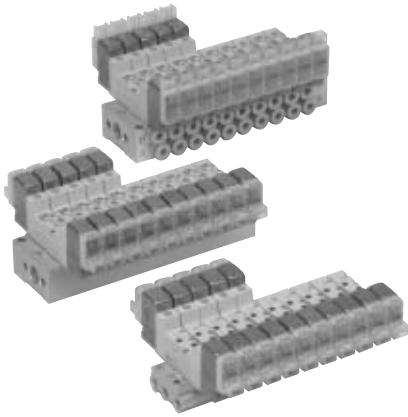
M8 connector (WO):  
SYJ3<sup>3</sup>/<sub>5</sub>40(R)-□WO□□-M5□



Refer to page 1-5-79 for dimensions with connector cable.

# Series SYJ3000 Manifold Specifications

## Manifold Standard



## Manifold Specifications

Model		Type 20	Type 31, S31	Type 32, S32	Type 41, S41	Type 46, S46
Manifold type		Single base/B mount				
P (SUP), R (EXH)		Common SUP/Common EXH				Common SUP Individual EXH
Valve stations		2 to 20 stations				
A, B port Porting specifications	Location	Valve	Base			
	Direction	Top	Side			
Port size	P, R port	M5 x 0.8		1/8		P: 1/8 R: M5 x 0.8
	A, B port	M3 x 0.5		M5 x 0.8, C4 (One-touch fitting for ø4)		

## Flow Characteristics

Manifold			Port size		Flow characteristics						Effective area (mm <sup>2</sup> )
					1→4/2 (P→A/B)			4/2→5/3 (A/B→R)			
Body ported for internal pilot			1(P), 5/3(R) port	2(B), 4(A) port	C [dm <sup>3</sup> /(s·bar)]	b	Cv	C [dm <sup>3</sup> /(s·bar)]	b	Cv	
	SS5YJ3-20	SYJ3□2□	M5 x 0.8	M3 x 0.5	—	—	—	—	—	—	0.9
	SS5YJ3- <sup>31</sup> <sub>S31</sub>	SYJ3□3□	M5 x 0.8	M3 x 0.5	—	—	—	—	—	—	0.9
Base mounted for internal pilot	SS5YJ3-32-M5	SYJ3□3□	1/8	M5 x 0.8	0.25	0.19	0.060	0.32	0.25	0.077	—
	SS5YJ3-32-C4			C4	0.25	0.18	0.059	0.30	0.27	0.075	—
	SS5YJ3-S32-M5	SYJ3□3□	1/8	M5 x 0.8	0.25	0.26	0.060	0.29	0.15	0.062	—
	SS5YJ3-S32-C4			C4	0.24	0.21	0.057	0.27	0.18	0.062	—
	SS5YJ3-41-M5	SYJ3□4□	1/8	M5 x 0.8	0.32	0.25	0.081	0.33	0.19	0.079	—
	SS5YJ3-41-C4			C4	0.32	0.28	0.079	0.35	0.24	0.084	—
	SS5YJ3-S41-M5			M5 x 0.8	0.33	0.29	0.082	0.34	0.17	0.081	—
	SS5YJ3-S41-C4	SYJ3□4□	1/8	M5 x 0.8	0.32	0.27	0.079	0.34	0.24	0.084	—
	SS5YJ3-46-M5			M5 x 0.8	0.20	0.25	0.048	0.10	0.12	0.024	—
	SS5YJ3-46-C4			C4	0.21	0.27	0.050	0.21	0.13	0.047	—
SS5YJ3-S46-M5	SYJ3□4□	1/8	M5 x 0.8	0.20	0.25	0.048	0.19	0.16	0.024	—	
SS5YJ3-S46-C4			C4	0.22	0.34	0.057	0.10	0.090	0.024	—	



Note) Value at manifold base mounted, 2 position single operating

## How to Order Manifold (Example)

Instruct by specifying the valves and blanking plate assembly to be mounted on the manifold along with the manifold base model no.

Example:

- SS5YJ3-20-03 ..... 1 set (Manifold base)
- SS5YJ3-S41-03-C4 ... 1 set (Manifold base)
- \* SYJ3120-5G-M3 ... 2 sets (Valve)
- \* SYJ3140-5LZ ..... 2 sets (Valve)
- \* SYJ3000-21-1A .... 1 set (Blanking plate assembly)
- \* SYJ3000-21-2A ..... 1 set (Blanking plate assembly)

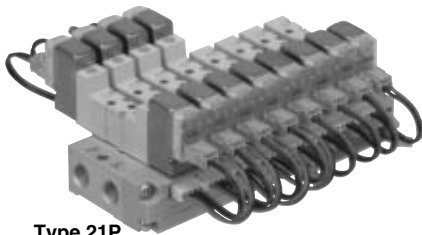
↳ The asterisk denotes the symbol for assembly. Prefix it to the part nos. of the solenoid valve, etc.

\* Use manifold specification sheet.

## Flat Ribbon Cable Manifold

- Multiple valve wiring is simplified through the use of the flat cable connector.
- Clean appearance

In the case of a flat ribbon cable type, each valve is wired on the print board of manifold base to allow the external wiring to be piped all together with 26 pins MIL connector.



Type 21P

## Flat Ribbon Cable Manifold Specifications

Model		Type 21P	Type 32P
Manifold type		Single base/B mount	
P (SUP), R (EXH)		Common SUP, Common EXH	
Valve stations		4 to 12 stations	
A, B port Porting specifications	Location	Valve	Base
	Direction	Top	Side
Port size	P, R port	1/8	
	A, B port	M3 x 0.5	M5 x 0.8, C4 (One-touch fitting for Ø4)
Applicable flat ribbon cable connector		Socket: 26 pins MIL type with strain relief (MIL-C-83503)	
Internal wiring		In common between +COM and -COM (Z type: +COM only)	
Rated voltage		24, 12 VDC/100, 110 VAC	



Note) The withstand voltage specification for the wiring unit section conforms to JIS C 0704, Grade 1 or its equivalent.

## Flow Characteristics

Manifold			Port size		Flow characteristics						Effective area (mm <sup>2</sup> )
					1→4/2 (P→A/B)			4/2→5/3 (A/B→R)			
Body ported for internal pilot	SS5YJ3-21P	SYJ3□23	1(P), 5/3(R) port	2(B), 4(A) port	C [dm <sup>3</sup> /(s-bar)]	b	Cv	C [dm <sup>3</sup> /(s-bar)]	b	Cv	
			1/8	M3 x 0.5	—	—	—	—	—	—	0.9
Base mounted for internal pilot	SS5YJ3-32P-M5	SYJ3□33	1/8	M5 x 0.8 C4	0.25	0.19	0.060	0.32	0.25	0.077	—
	SS5YJ3-32P-C4				0.25	0.18	0.059	0.3	0.27	0.075	—



Note) Value at manifold base mounted, 2 position single operating

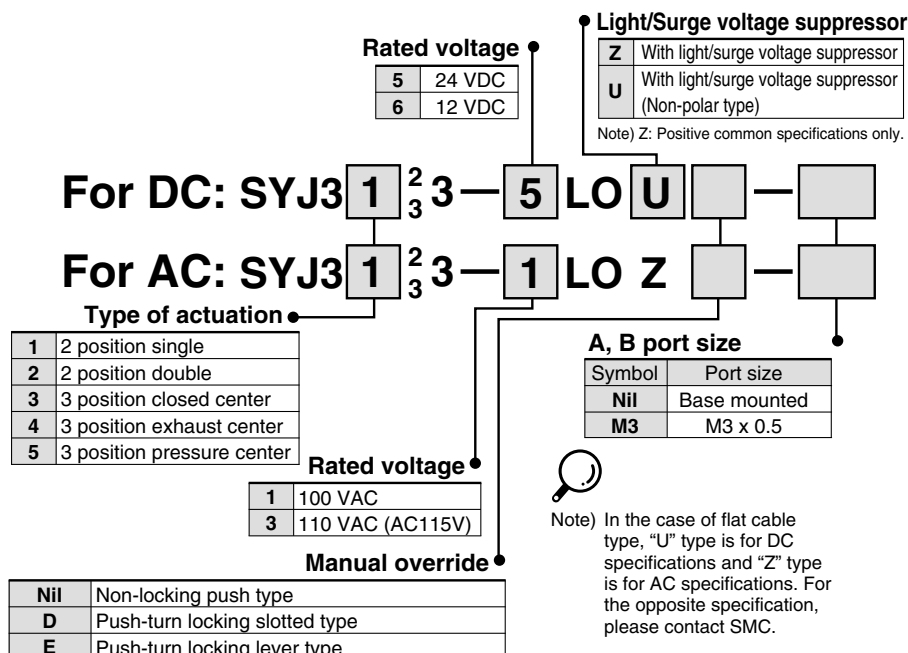
## How to Order Manifold

- SS5YJ3-32P-07-C4 ..... 1 pc. (Manifold base)
- SYJ3133-5LOU ..... 3 pcs. (Valve)
- SYJ3233-5LOU ..... 3 pcs. (Valve)
- SYJ3000-21-4A ..... 1 pc. (Blanking plate assembly)
- SY3000-37-28A ..... 3 pcs. (Connector assembly)
- SY3000-37-29A ..... 3 pcs. (Connector assembly)

The asterisk denotes the symbol for assembly. Prefix it to the part nos. of the solenoid valve, etc.

\* Use manifold specification sheet.

## How to Order Valves



Note) In the case of flat cable type, "U" type is for DC specifications and "Z" type is for AC specifications. For the opposite specification, please contact SMC.

## How to Order Connector Assembly

### 12, 24 VDC

Single solenoid	SY3000-37-28A
Double solenoid, 3 position type	SY3000-37-29A

### 100 VAC

Single solenoid	SY3000-37-46A
Double solenoid, 3 position type	SY3000-37-47A

### 110 VAC (115 VAC)

Single solenoid	SY3000-37-54A
Double solenoid, 3 position type	SY3000-37-55A

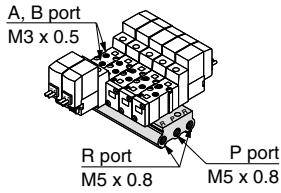
# Series SYJ3000

## Common SUP/Common EXH



Note) For more than 10 stations, supply air to both sides of P port and exhaust air from both sides of R port.

### Type 20 (5 Port/Body ported)



#### How to Order

SS5YJ3-20-05

#### Number of stations

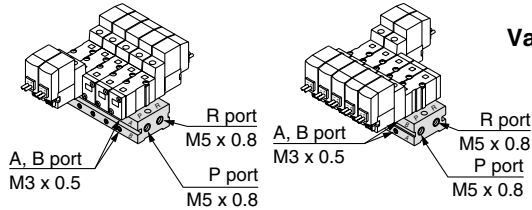
02	2 stations
:	:
20	20 stations

**Applicable solenoid valve**  
SYJ3□20-□□□□-M3  
SYJ3□23-□□□□-M3

**Applicable blanking plate assembly**  
SYJ3000-21-1A

### Type 31 (4 Port/Base mounted)

Type 31 Type S31 (Single solenoid coil is on same side as the A, B port.)



#### How to Order

SS5YJ3-31-05-M3

#### Valve mounting direction

Nil	Single solenoid coil is on opposite side as the A, B port.
S	Single solenoid coil is on same side as the A, B port.

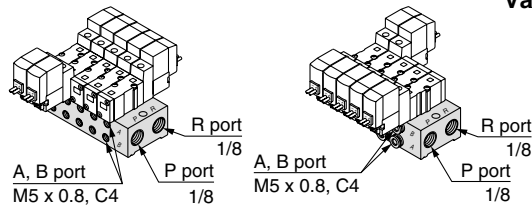
#### Stations

02	2 stations
:	:
20	20 stations

**Applicable solenoid valve**  
SYJ3□30-□□□□  
SYJ3□33-□□□□

### Type 32 (4 Port/Base mounted)

Type 32 Type S32 (Single solenoid coil is on same side as the A, B port.)



#### How to Order

SS5YJ3-32-05-M5

#### Valve mounting direction

Nil	Single solenoid coil is on opposite side as the A, B port.
S	Single solenoid coil is on same side as the A, B port.

#### Stations

02	2 stations
:	:
20	20 stations

#### A, B port size

M5	M5 x 0.8
C4	One-touch fitting for ø4
N3	One-touch fitting for ø5/32"

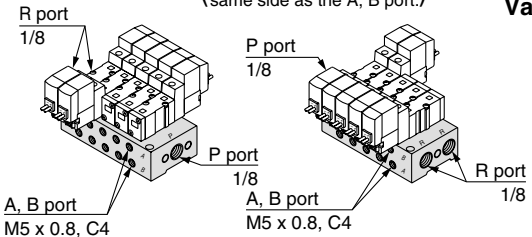
**Applicable blanking plate assembly**  
SYJ3000-21-2A

#### P, R port thread type

Nil	Rc
F	G
N	NPT
T	NPTF

### Type 41 (5 Port/Base mounted)

Type 41 Type S41 (Single solenoid coil is on same side as the A, B port.)



#### How to Order

SS5YJ3-41-05-C4

#### Valve mounting direction

Nil	Single solenoid coil is on opposite side as the A, B port.
S	Single solenoid coil is on same side as the A, B port.

#### Stations

02	2 stations
:	:
20	20 stations

#### A, B port size

M5	M5 x 0.8
C4	One-touch fitting for ø4
N3	One-touch fitting for ø5/32"

**Applicable solenoid valve**  
SYJ3□40-□□□□  
SYJ3□43-□□□□

**Applicable blanking plate assembly**  
SYJ3000-21-2A

#### P, R port thread type

Nil	Rc
F	G
N	NPT
T	NPTF

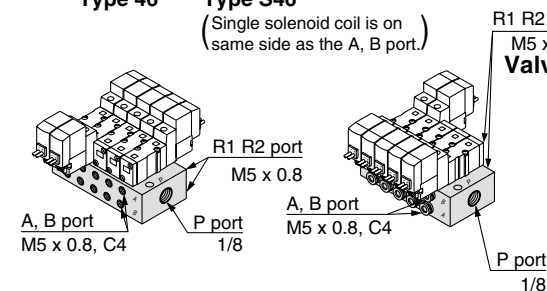
## Common SUP/Individual EXH type



Note) For more than 10 stations, supply air to both sides of P port.

### Type 46 (5 Port/Base mounted)

Type 46 Type S46 (Single solenoid coil is on same side as the A, B port.)



#### How to Order

SS5YJ3-46-05-M5

#### Valve mounting direction

Nil	Single solenoid coil is on opposite side as the A, B port.
S	Single solenoid coil is on same side as the A, B port.

#### Stations

02	2 stations
:	:
20	20 stations

#### A, B port size

M5	M5 x 0.8
C4	One-touch fitting for ø4
N3	One-touch fitting for ø5/32"

**Applicable solenoid valve**  
SYJ3□40-□□□□  
SYJ3□43-□□□□

**Applicable blanking plate assembly**  
SYJ3000-21-2A

#### P port thread type

Nil	Rc
F	G
N	NPT
T	NPTF

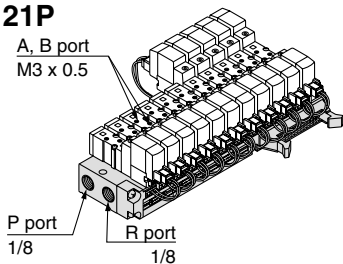
## Flat Ribbon Cable Manifold

### Common SUP/Common EXH



Note) For more than 10 stations, supply air to both sides of P port and exhaust air from both sides of R port.

#### Type 21P



How to Order

**SS5YJ3-21P-07** [ ] [ ]

Stations	
04	4 stations
:	:
12	12 stations

P, R port thread type

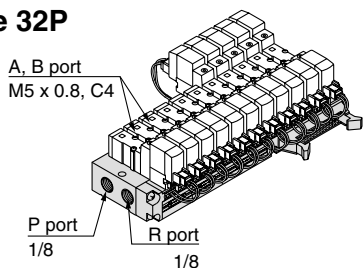
Nil	Rc
00F	G
00N	NPT
00T	NPTF

Applicable solenoid valve  
Refer to page 1-5-15.

Applicable connector assembly  
Refer to page 1-5-15.

Applicable blanking plate assembly  
SYJ3000-21-3A  
(With dust cap)

#### Type 32P



How to Order

**SS5YJ3-32P-07-C4** [ ] [ ]

Stations		A, B port size	
04	4 stations	M5	M5 x 0.8
:	:	C4	One-touch fitting for ø4
12	12 stations	N3	One-touch fitting for ø5/32"

P, R port thread type

Nil	Rc
F	G
N	NPT
T	NPTF

Applicable solenoid valve  
Refer to page 1-5-15.

Applicable connector assembly  
Refer to page 1-5-15.

Applicable blanking plate assembly  
SYJ3000-21-3A  
(With dust cap)

SV

SZ

SY

SYJ

SX

## Mixed Installation of the SYJ300 and the SYJ3000 Valves on the Same Manifold

Series SYJ300 valves can be mounted on the manifolds for Series SYJ3000.

#### ① SS5YJ3-20, SS5YJ3-21P

The 3 port valve can be used by simply sealing off the unused "R" port with rubber plug VJ3000-33-1.

Applicable solenoid valves:  
Series SYJ312, SYJ312M, SYJ322, SYJ322M

#### ② SS5YJ3-31/-S31, SS5YJ3-32/-S32, SS5YJ3-46/-S46, SS5YJ3-32P

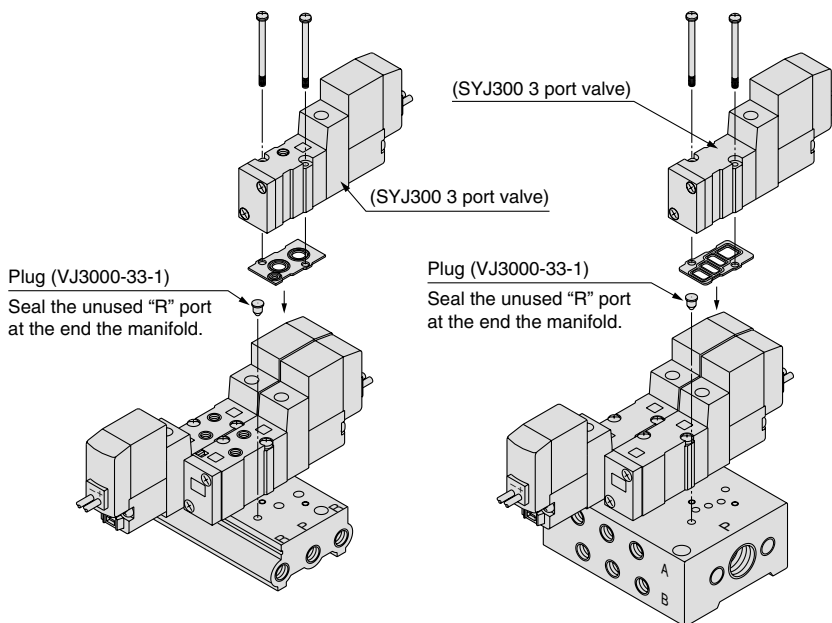
The 3 port valve can be used without modification. The A port of the valve will flow out of the B port of the manifold.

Applicable solenoid valves:  
Series SYJ314, SYJ314M, SYJ324, SYJ324M

#### ③ SS5YJ3-41/-S41

The 3 port valve can be used on the 4 port manifold by simply sealing off the unused "R" port with rubber plug VJ3000-33-1. The A port of the valve will flow out of the B port of the manifold.

Applicable solenoid valves:  
Series SYJ314, SYJ314M, SYJ324, SYJ324M



Type SS5YJ3-20

Type SS5YJ3-41

A port of the 3 port valve flows out of the manifold B port.

### ⚠ Caution

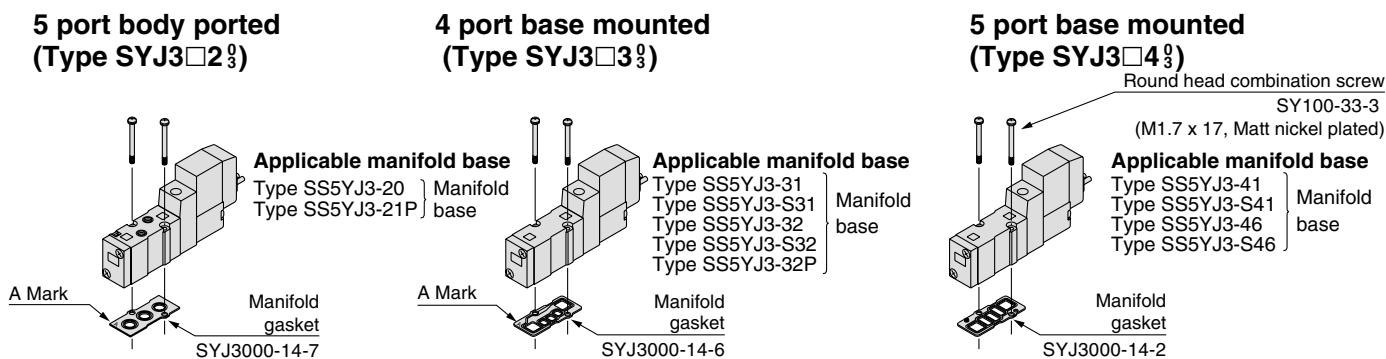
Mounting screw tightening torques

M1.7: 0.12 N·m

Use caution to the assembly orientation for solenoid valves, gasket, and optional parts.

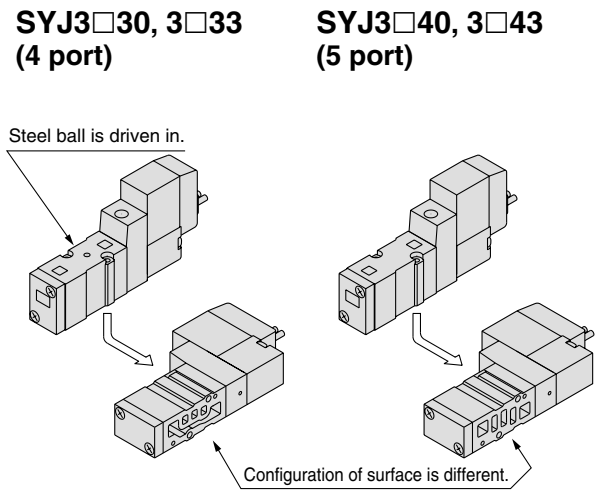
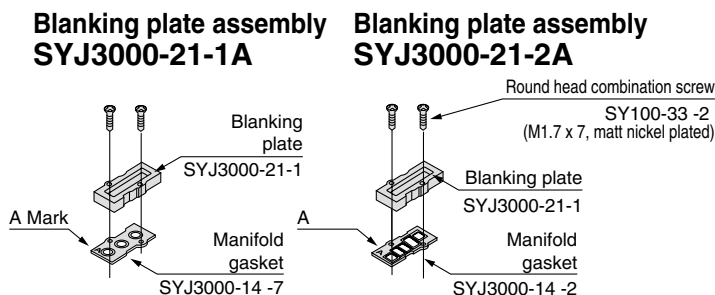
# Series SYJ3000

## Combinations of Solenoid Valve, Manifold Gasket and Manifold Base



## Combination of Blanking Plate Assembly and Manifold Base

## Difference between SYJ3□3<sub>3</sub><sup>0</sup> and SYJ3□4<sub>3</sub><sup>0</sup>



Applicable manifold base  
Type SS5YJ3-20 Manifold base

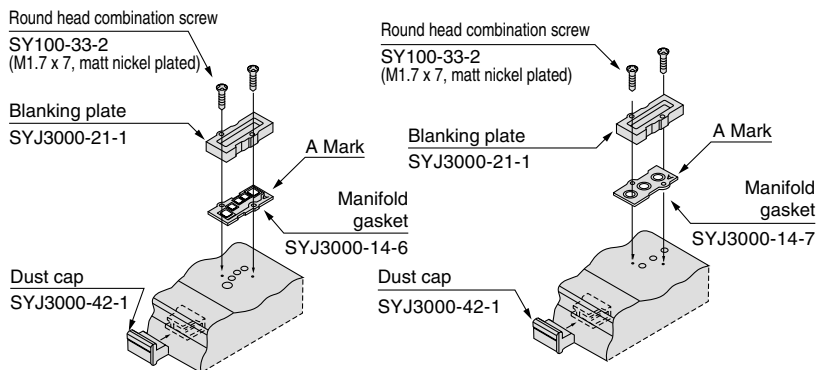
Applicable manifold base  
Sub-plate  
Type SS5YJ3-41 } Manifold base  
Type SS5YJ3-S41 }  
Type SS5YJ3-46 }  
Type SS5YJ3-S46 }  
Type SS5YJ3-31 }  
Type SS5YJ3-S31 }  
Type SS5YJ3-32 }  
Type SS5YJ3-S32 }

Note) Manifold gasket "SYJ3000-14-2" can be used with the following manifold bases.

Manifold base of {  
Type SS5YJ3-31  
Type -S31  
Type -32  
Type -S32

## Blanking plate assembly SYJ3000-21-4A

## Blanking plate assembly SYJ3000-21-3A



Applicable manifold base  
Type SS5YJ3-32P  
Manifold base

Applicable manifold base  
Type SS5YJ3-21P  
Manifold base

### ⚠ Caution

Mounting screw tightening torques

M1.7: 0.12 N·m

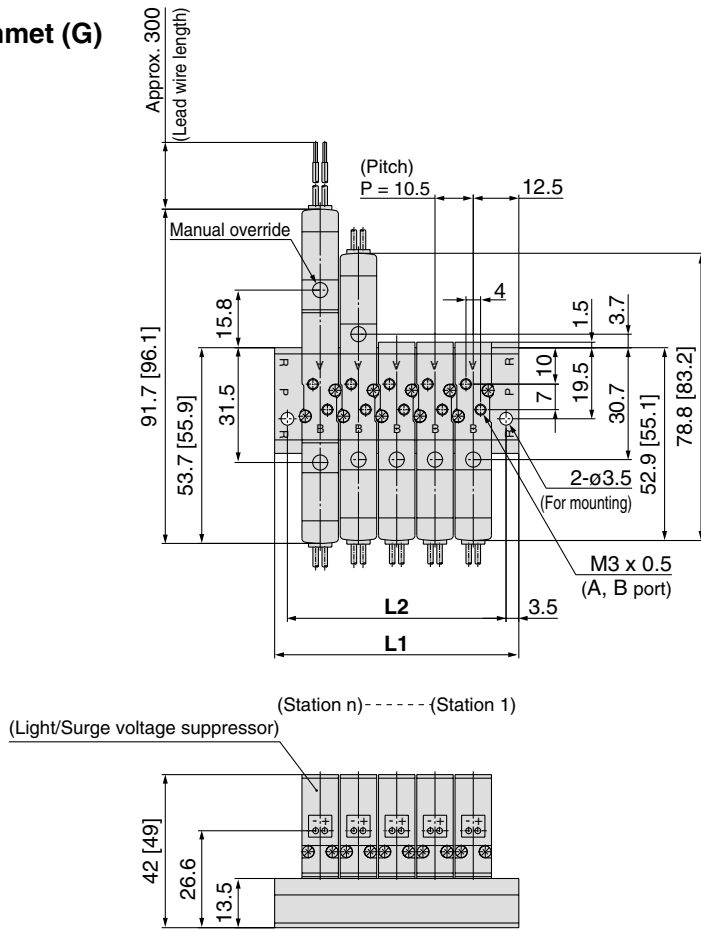
Use caution to the assembly orientation for solenoid valves, gasket, and optional parts.



**Type 20 Manifold: Top Ported/SS5YJ3-20- Stations**

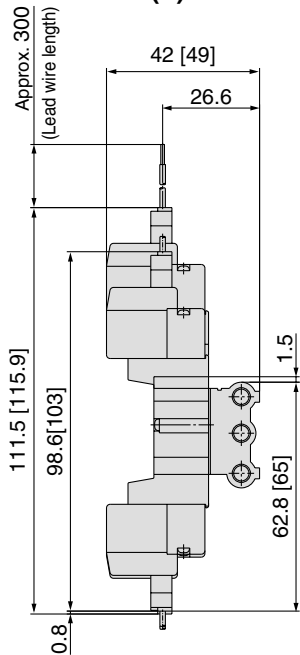


**Grommet (G)**

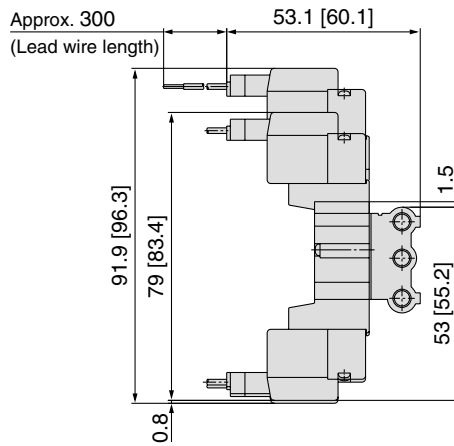


- SV
- SZ
- SY
- SYJ**
- SX

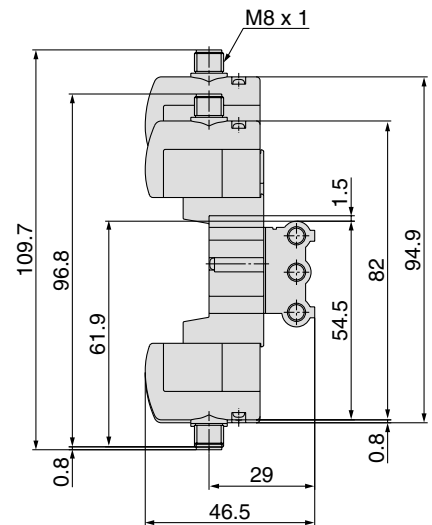
**L plug connector (L)**



**M plug connector (M)**



**M8 connector (WO)**



Refer to page 1-5-79 for dimensions with connector cable.

Station n	Station 2	3	4	5	6	7	8	9	10	11	12	13	14	15	16	17	18	19	Station 20
<b>L1</b>	35.5	46	56.5	67	77.5	88	98.5	109	119.5	130	140.5	151	161.5	172	182.5	193	203.5	214	224.5
<b>L2</b>	28.5	39	49.5	60	70.5	81	91.5	102	112.5	123	133.5	144	154.5	165	175.5	186	196.5	207	217.5

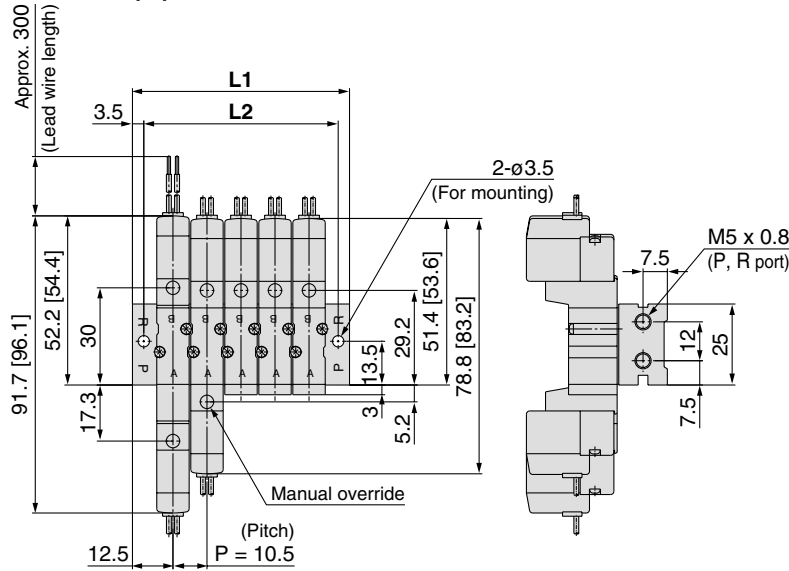


# Series SYJ3000

## Type 31 Manifold: Side Ported/SS5YJ3-31- Stations -M3

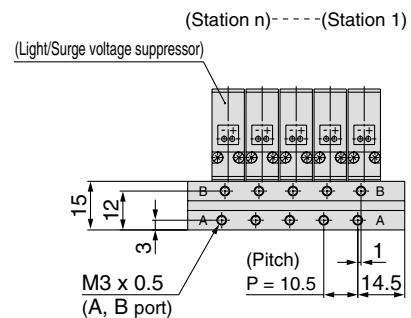
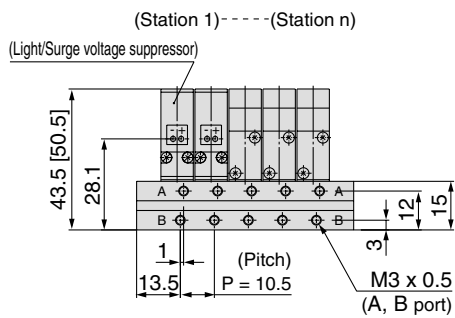
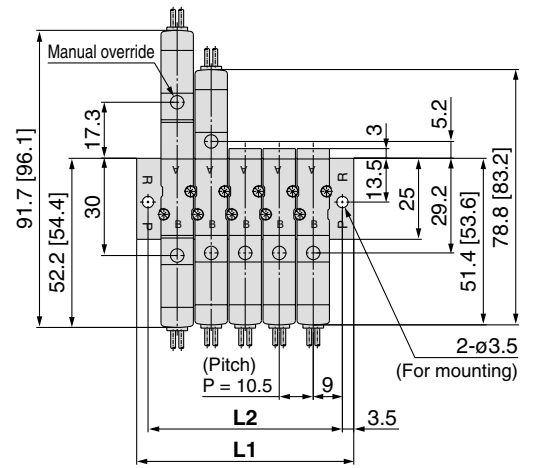


### Grommet (G)

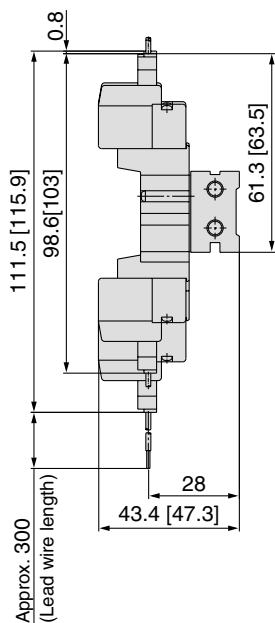


### Type S31 Manifold: Side Ported SS5YJ3-S31- Stations -M3

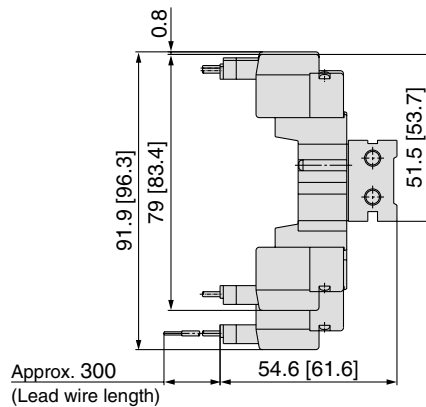
(Single solenoid coil is on same side as the A,B port.)



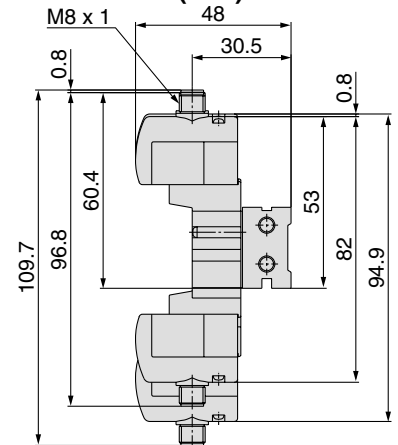
### L plug connector (L)



### M plug connector (M)



### M8 connector (WO)



Refer to page 1-5-79 for dimensions with connector cable.

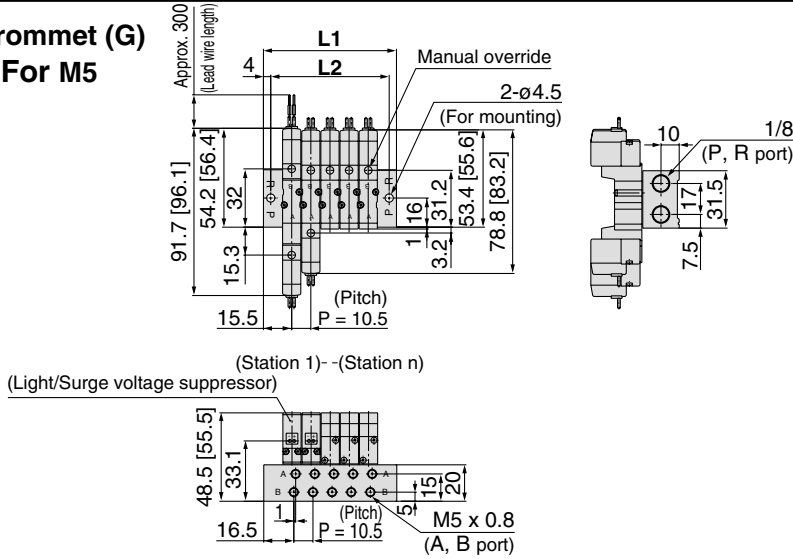
Station n	Station 2	3	4	5	6	7	8	9	10	11	12	13	14	15	16	17	18	19	Station 20
L1	35.5	46	56.5	67	77.5	88	98.5	109	119.5	130	140.5	151	161.5	172	182.5	193	203.5	214	224.5
L2	28.5	39	49.5	60	70.5	81	91.5	102	112.5	123	133.5	144	154.5	165	175.5	186	196.5	207	217.5

# 4/5 Port Solenoid Valve Rubber Seal Series SYJ3000

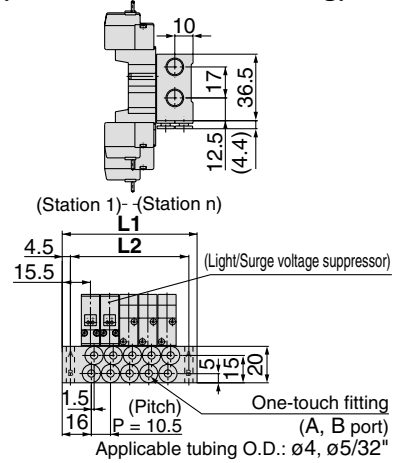
## Type 32 Manifold: Side Ported/SS5YJ3-32- Stations -M5, C4 N3



### Grommet (G) For M5

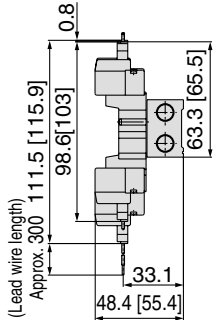


### For C4 N3 (Built-in One-touch fitting)

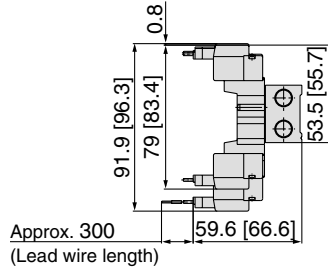


- SV
- SZ
- SY
- SYJ
- SX

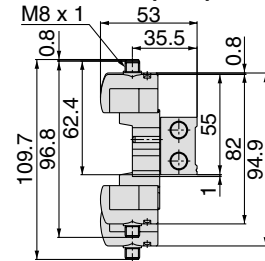
### L plug connector (L)



### M plug connector (M)



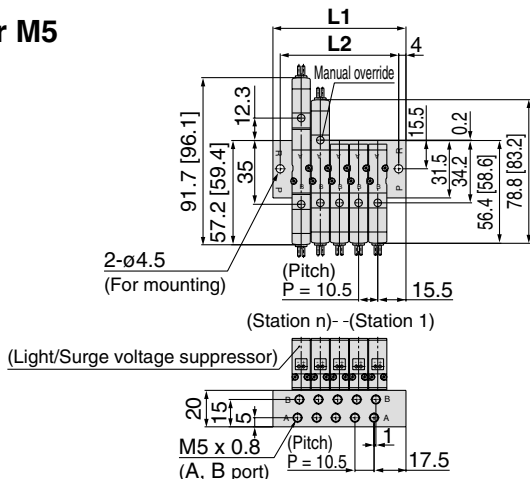
### M8 connector (WO)



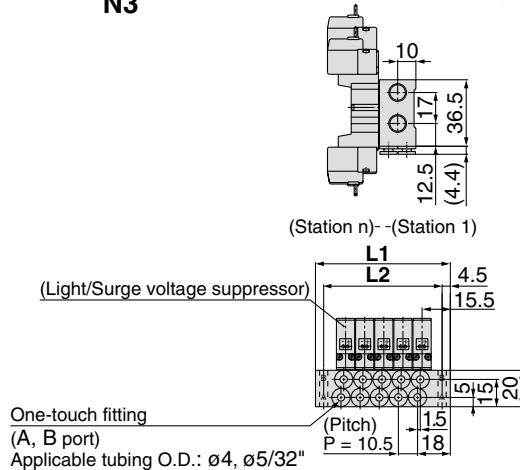
Refer to page 1-5-79 for dimensions with connector cable.

## Type S32 Manifold: Side Ported (Single solenoid coil is on same side as the A, B port.) /SS5YJ3-S32- Stations -M5, C4 N3

### For M5



### For C4 N3 (Built-in One-touch fitting)



### SS5YJ3-32, S32- Stations -M5

Station n	Station 2	3	4	5	6	7	8	9	10	11	12	13	14	15	16	17	18	19	Station 20
L1	41.5	52	62.5	73	83.5	94	104.5	115	125.5	136	146.5	157	167.5	178	188.5	199	209.5	220	230.5
L2	33.5	44	54.5	65	75.5	86	96.5	107	117.5	128	138.5	149	159.5	170	180.5	191	201.5	212	222.5

### SS5YJ3-32, S32- Stations -C4

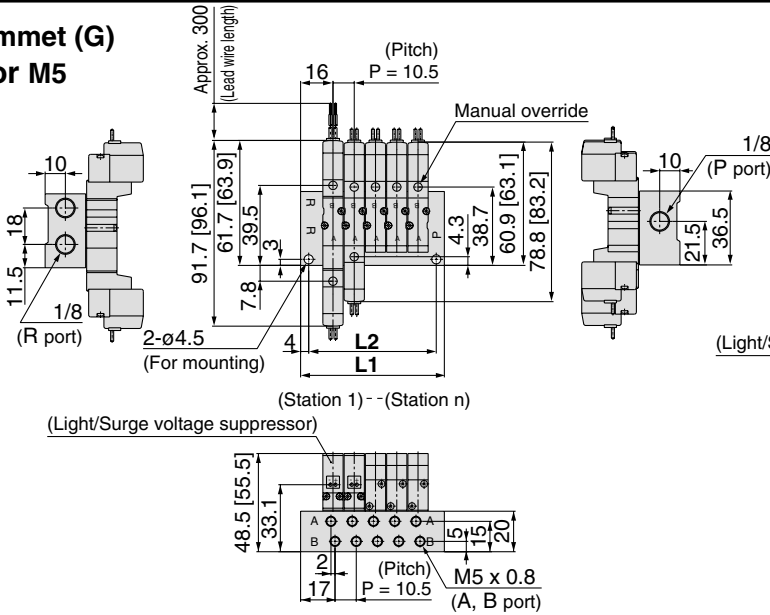
Station n	Station 2	3	4	5	6	7	8	9	10	11	12	13	14	15	16	17	18	19	Station 20
L1	42.5	53	63.5	74	84.5	95	105.5	116	126.5	137	147.5	158	168.5	179	189.5	200	210.5	221	231.5
L2	33.5	44	54.5	65	75.5	86	96.5	107	117.5	128	138.5	149	159.5	170	180.5	191	201.5	212	222.5

# Series SYJ3000

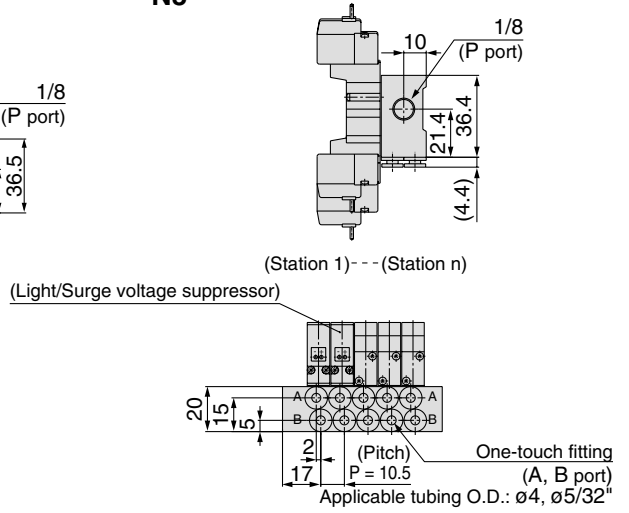
## Type 41 Manifold: Side Ported/SS5YJ3-41- Stations -M5, C4 N3



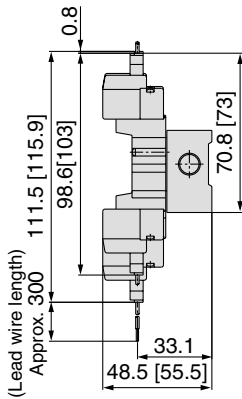
### Grommet (G) For M5



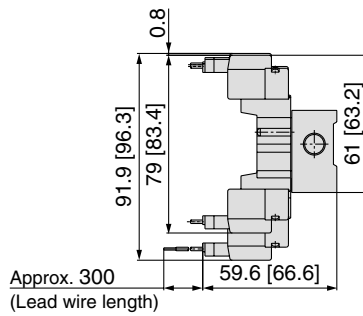
### For C4 N3 (Built-in One-touch fitting)



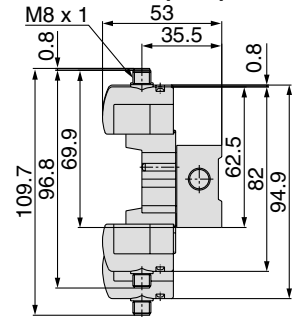
### L plug connector (L)



### M plug connector (M)



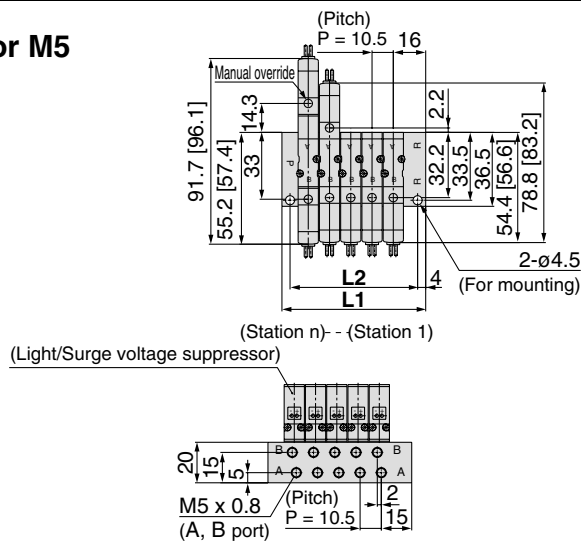
### M8 connector (WO)



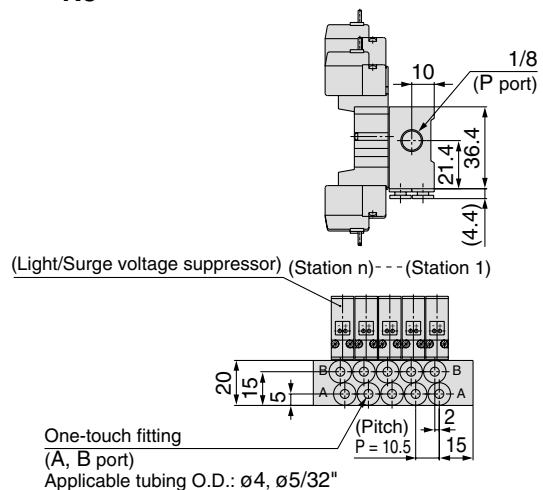
Refer to page 1-5-79 for dimensions with connector cable.

## Type S41 Manifold: Side Ported (Single solenoid coil is on same side as the A,B port) /SS5YJ3-S41- Stations -M5, C4 N3

### For M5



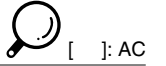
### For C4 N3 (Built-in One-touch fitting)



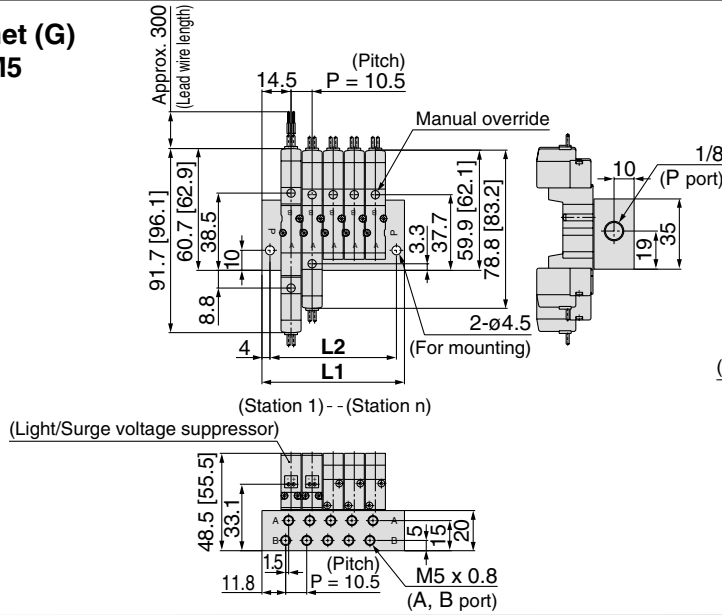
Station n	Station 2	3	4	5	6	7	8	9	10	11	12	13	14	15	16	17	18	19	Station 20
L1	39.5	50	60.5	71	81.5	92	102.5	113	123.5	134	144.5	155	165.5	176	186.5	197	207.5	218	228.5
L2	31.5	42	52.5	63	73.5	84	94.5	105	115.5	126	136.5	147	157.5	168	178.5	189	199.5	210	220.5

# 4/5 Port Solenoid Valve Rubber Seal Series SYJ3000

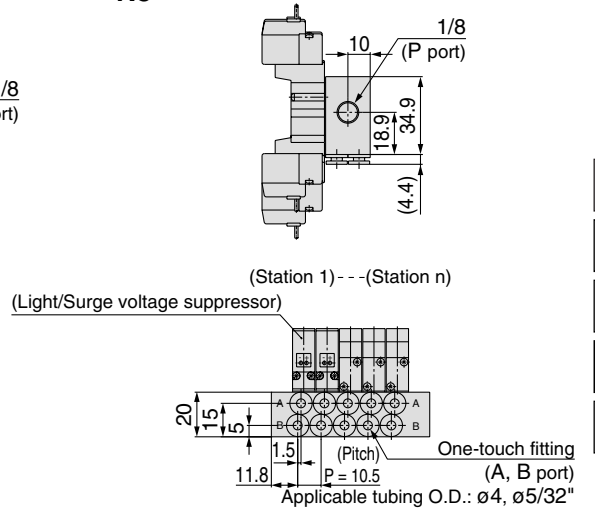
## Type 46 Manifold: Side Ported/SS5YJ3-46- Stations -M5, $C4$ $N3$



### Grommet (G) For M5



### For $C4$ $N3$ (Built-in One-touch fitting)



SV

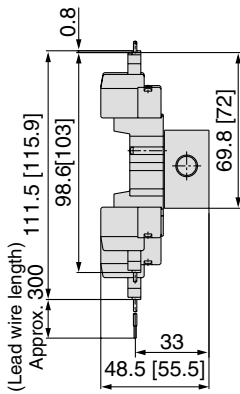
SZ

SY

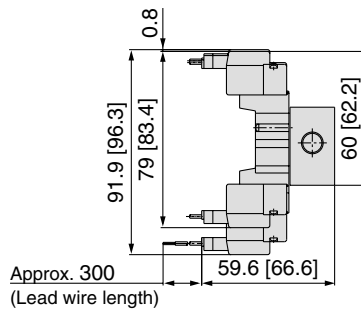
SYJ

SX

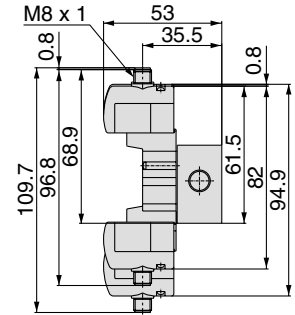
### L plug connector (L)



### M plug connector (M)



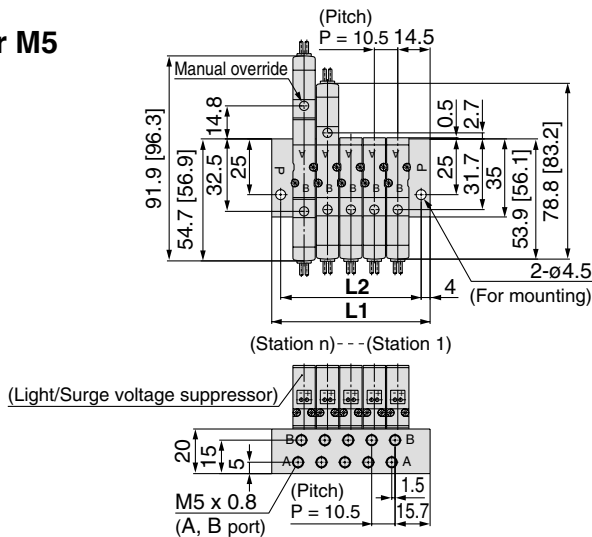
### M8 connector (WO)



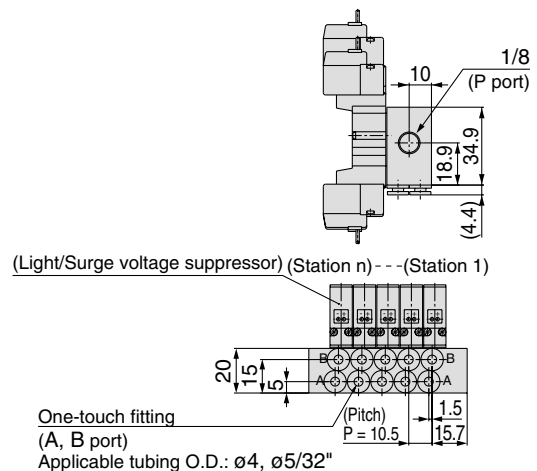
Refer to page 1-5-79 for dimensions with connector cable.

## Type S46 Manifold: Side Ported (Single solenoid coil is on same side as the A, B port.) /SS5YJ3-S46- Stations -M5, $C4$ $N3$

### For M5



### For $C4$ $N3$ (Built-in One-touch fitting)



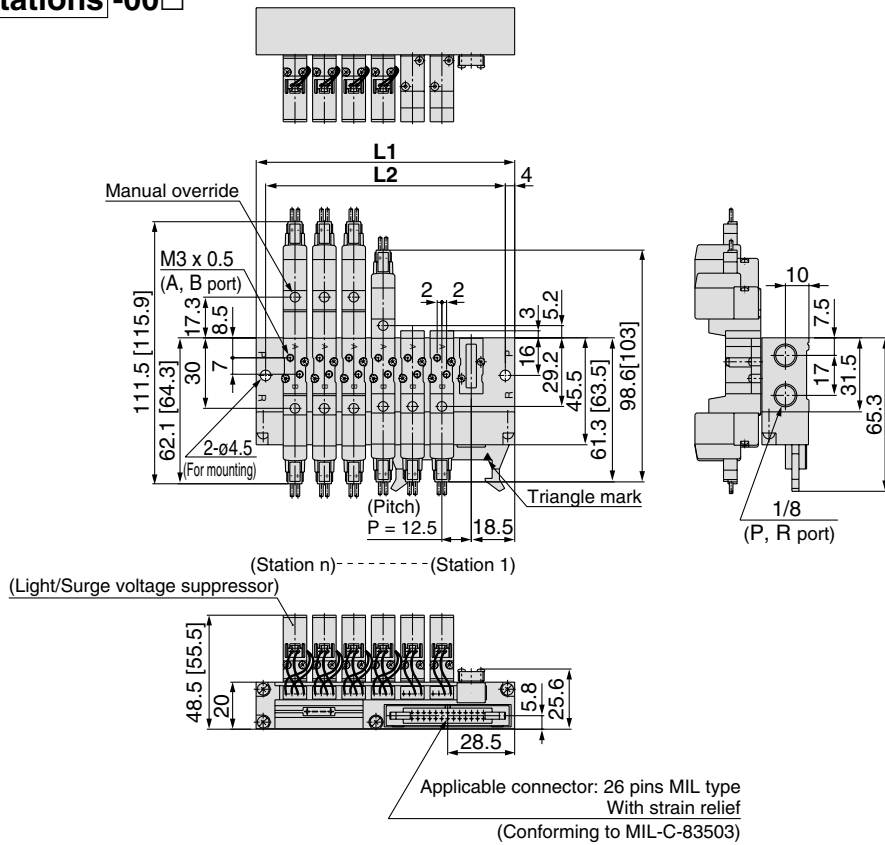
Station n	Station 2	3	4	5	6	7	8	9	10	11	12	13	14	15	16	17	18	19	Station 20
<b>L1</b>	39.5	50	60.5	71	81.5	92	102.5	113	123.5	134	144.5	155	165.5	176	186.5	197	207.5	218	228.5
<b>L2</b>	31.5	42	52.5	63	73.5	84	94.5	105	115.5	126	136.5	147	157.5	168	178.5	189	199.5	210	220.5

# Series SYJ3000

## Flat Ribbon Cable Manifold



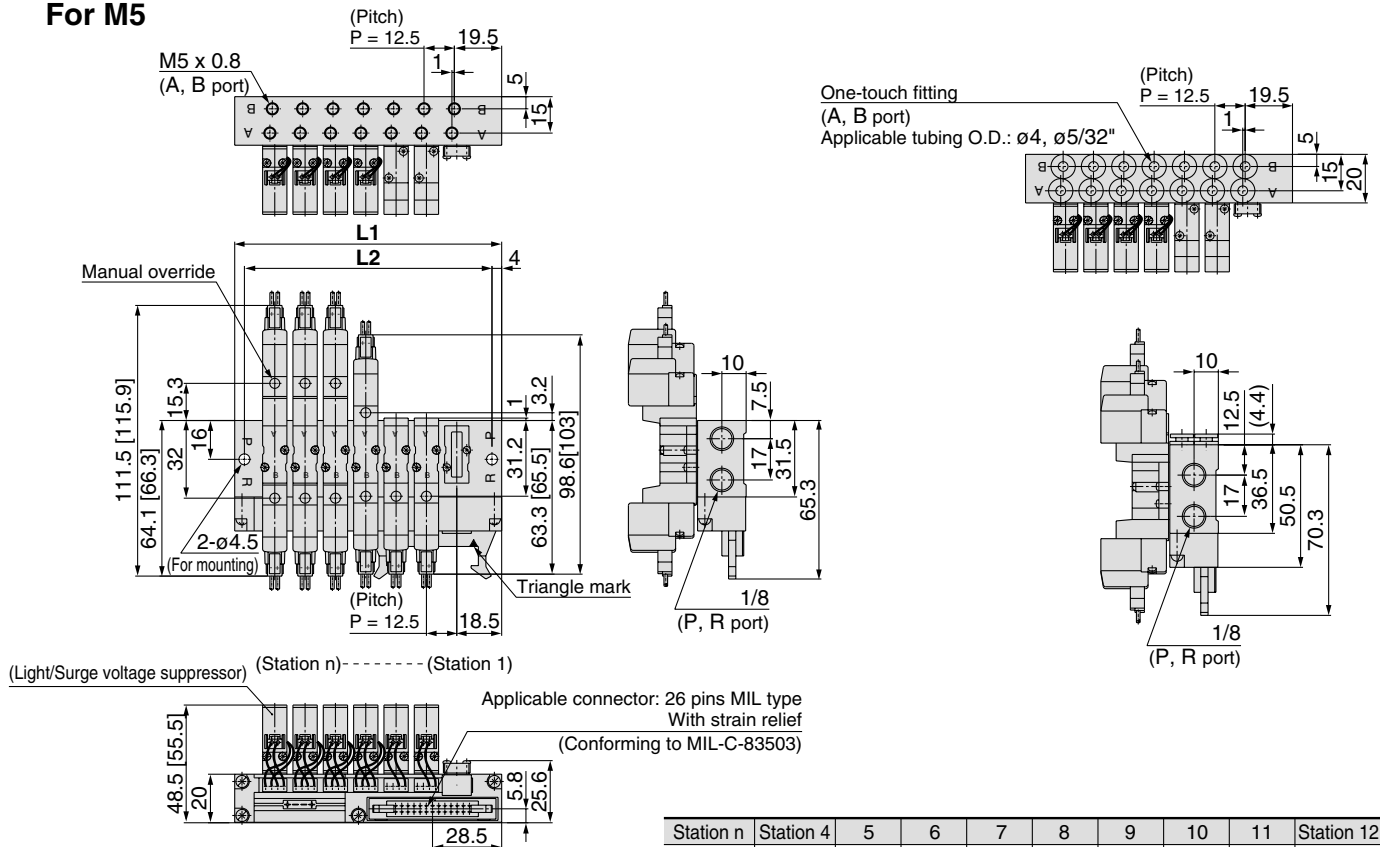
### SS5YJ3-21P- Stations -00



### SS5YJ3-32P- Stations -M5, C4

For M5

### For C4 (Built-in One-touch fitting)



Station n	Station 4	5	6	7	8	9	10	11	Station 12
L1	72.5	85	97.5	110	122.5	135	147.5	160	172.5
L2	64.5	77	89.5	102	114.5	127	139.5	152	164.5